

# MAINTENANCE

## HOW TO REPLACE THE MOTION DRIVE BELT

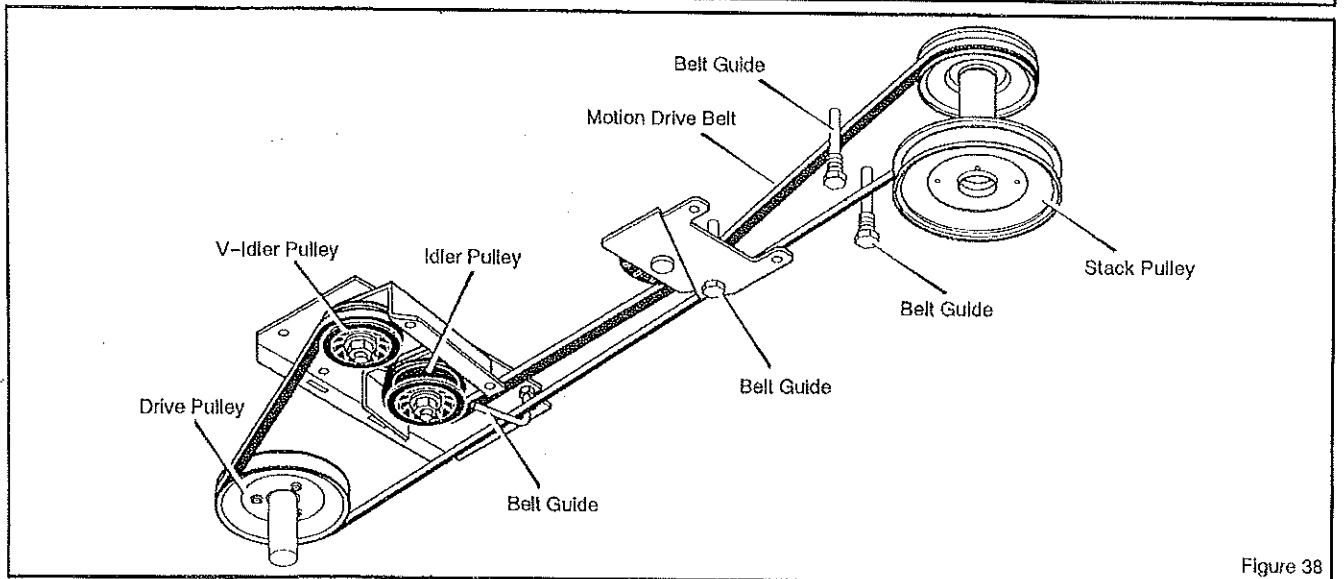
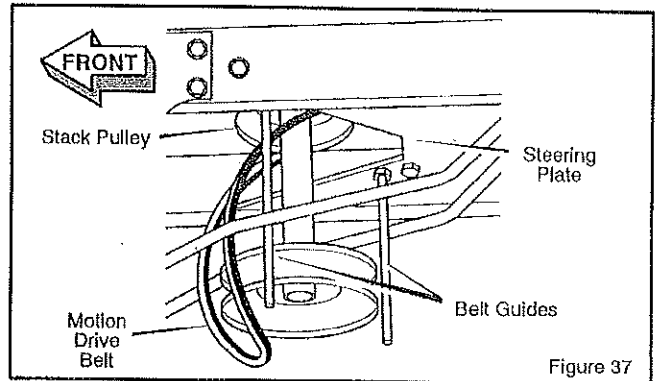
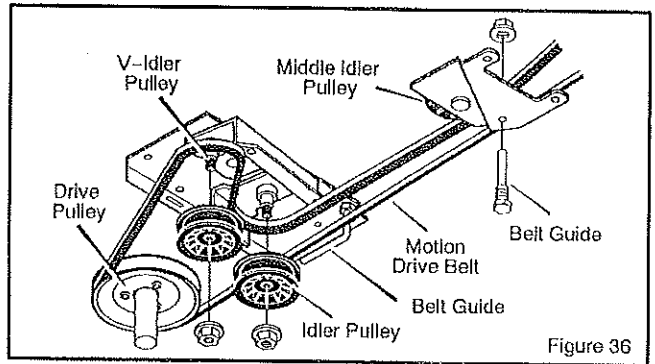
### REMOVAL

1. Remove the mower housing. See the instructions on "How To Remove The Mower Housing".
2. Completely push the pedal forward and engage the parking brake.
3. Loosen the **belt guide** at the **idler pulley**. Move the **belt guide** away from the **idler pulley** (Figure 36).
4. Remove the **idler pulley** (Figure 36).
5. Disengage the parking brake.
6. Remove the **V-Idler pulley**.
7. Remove the **belt guide** at the **middle idler pulley**.
8. Remove the **motion drive belt** from the **drive pulley**.
9. To remove the **motion drive belt** from the **stack pulley**, pull the front end of the belt under the **stack pulley** and then back between the **stack pulley** and the **steering plate** (Figure 37).
10. Remove the **motion drive belt**. A correct replacement part or assistance is available from an Authorized Service Center in your area.

### INSTALLATION

1. Slide the **motion drive belt** between the **stack pulley** and the **belt guides** (Figure 37). Install the **motion drive belt** on the top pulley of the **stack pulley**. Make sure the "V" side of the belt is against the pulley.
2. Push the **motion drive belt** through the opening between the **steering plate** and the engine plate. Make sure the **motion drive belt** is on the left side of the steering shaft assembly.
3. Install the end of the **motion drive belt** around the **drive pulley** (Figure 36).
4. Put the **motion drive belt** around the **V-idler pulley**. Install the **motion drive belt** and **V-idler pulley**.
5. Completely push the pedal forward and engage the parking brake.
6. Put the belt around the **idler pulley**. Assemble the **idler pulley**. Fasten the **idler pulley** with the hex nut. Make sure the flat side of the belt is against the **idler pulley**. Also, make sure the belt is not twisted.

7. Move the **belt guide** under the edge of the **idler pulley** (Figure 38). Tighten the **belt guide**.
8. Disengage the parking brake.
9. Install the **belt guide** at the **middle idler pulley**. Make sure the back of the **motion drive belt** is against **middle idler pulley**.
10. Check the routing of the **motion drive belt** (Figure 38). Make sure the **motion drive belt** is installed correctly on the **idler pulleys** and inside all **belt guides**.
11. Before you use the unit, check the adjustment of the clutch. See the instructions "How To Check And Adjust The Clutch".
12. Install the mower housing. See the instructions "How To Install The Mower Housing".



# MAINTENANCE

## HOW TO REPLACE THE MOWER DRIVE BELT

1. Remove the mower housing. See the instructions on "How To Remove The Mower Housing".
2. Pull the belt retainer away from the idler pulley and remove the mower drive belt (Figure 20).
3. Pull the belt retainer away from the right mandrel pulley and remove the mower drive belt.
4. Pull the belt retainer away from the left mandrel pulley and remove the mower drive belt.
5. Install the new mower drive belt. Pull the belt retainer away from the right mandrel pulley. Put the belt around the right mandrel pulley.
6. Pull the belt retainer away from the left mandrel pulley. Put the belt around the left mandrel pulley.
7. Pull the belt retainer away from the idler pulley. Put the flat side of the mower drive belt around the idler pulley.
8. Make sure the "V" side of the mower drive belt is against the mandrel pulleys as shown.
9. Install the mower housing. See the instructions on "How To Install The Mower Housing".
10. Before you mow, check the blade rotation control. See the instructions on "How To Adjust The Blade Rotation Control".

**NOTE:** Replace the mower drive belt with an original equipment belt from an authorized service center.

